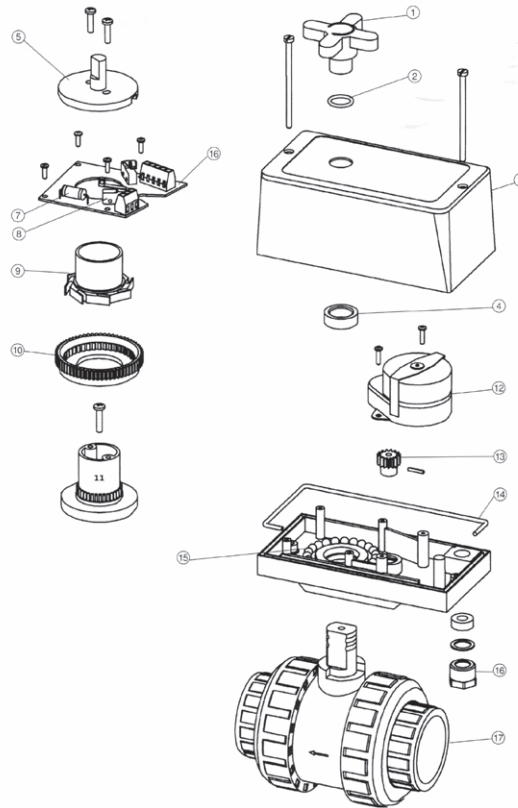


## ELECTRIC 2 & 3 WAYS VALVES

Solar 3-way and 2-way electrical motor valve.



Performance	2-way	3-way
Volt	24 vac	24 vac
Amp	0,5 A	0,5 A
Pipe connection	50 mm	50 mm
Connection terminals	6.4.11	6.4.11
IP	54	54
Turn time	12 sec	24 sec

### NOTE:

If the valve has been standing still for more than 1 month, turn the handle manual to ensure free movement.

### Spare parts for both 2 and 3 ways motor valves

Spare part		Spare part number
9	Gearwheel complete	49-140088
10	Gearwheel complete	49-140088
11	Gearwheel complete	48-140088
12	Gearmotor inc. No. 13. 24 vac	49-120714
13	Gearwheel small	49-120712
16	PCB	-
17	O-ring for adaptor. For old and new models	49-140081
17-1	Adaptor 50 mm. connection. For old and new models	49-140082
17-2	Nut / retainer for adaptor. Old model only	49-140083
17-3	Nut / retainer for adaptor. New model only	49-140084